

**SDI-C403**

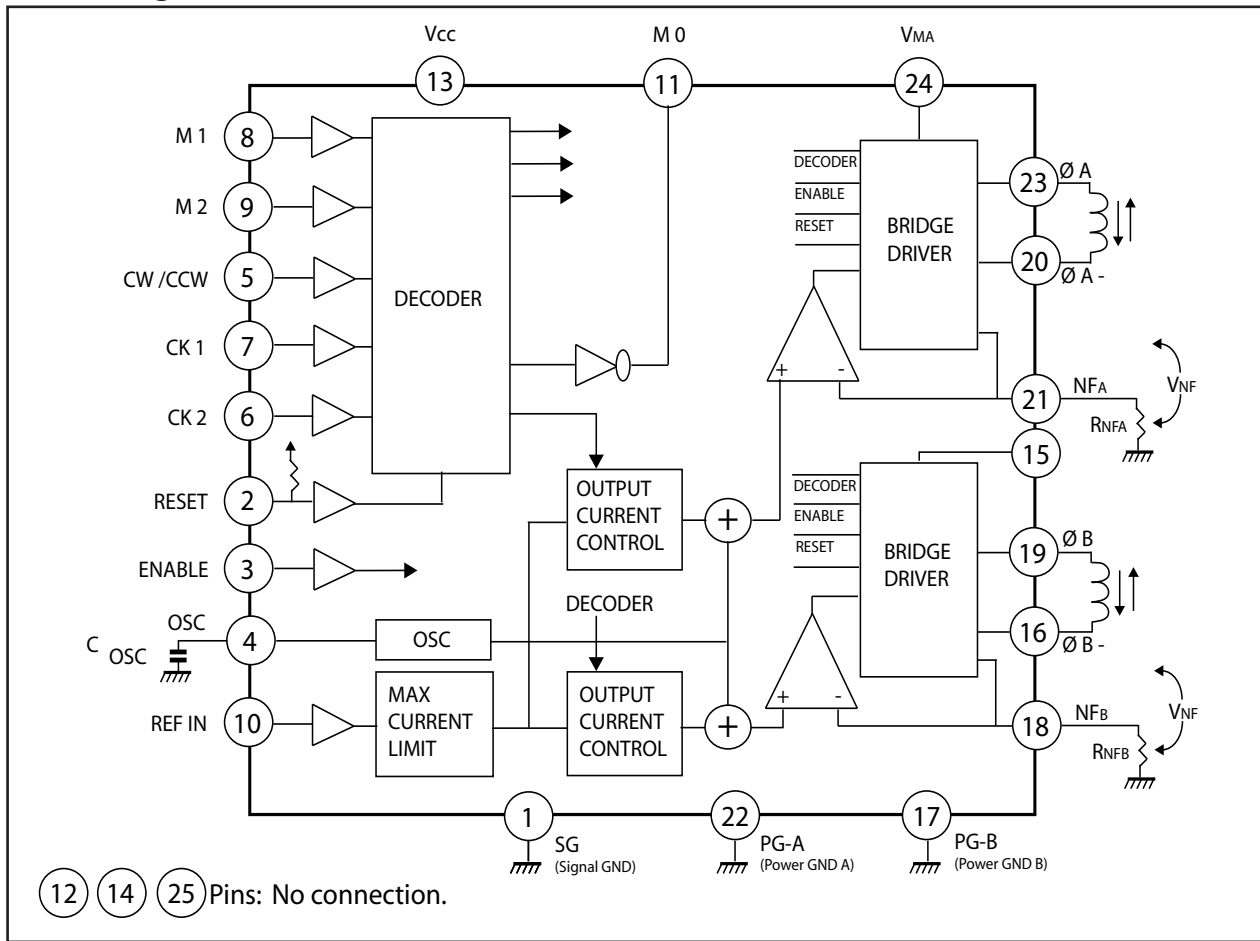
## 1,5 A - 40 Vdc Bi-CMOS IC for 4 phase stepping motor microstepping drive.

### Technical data

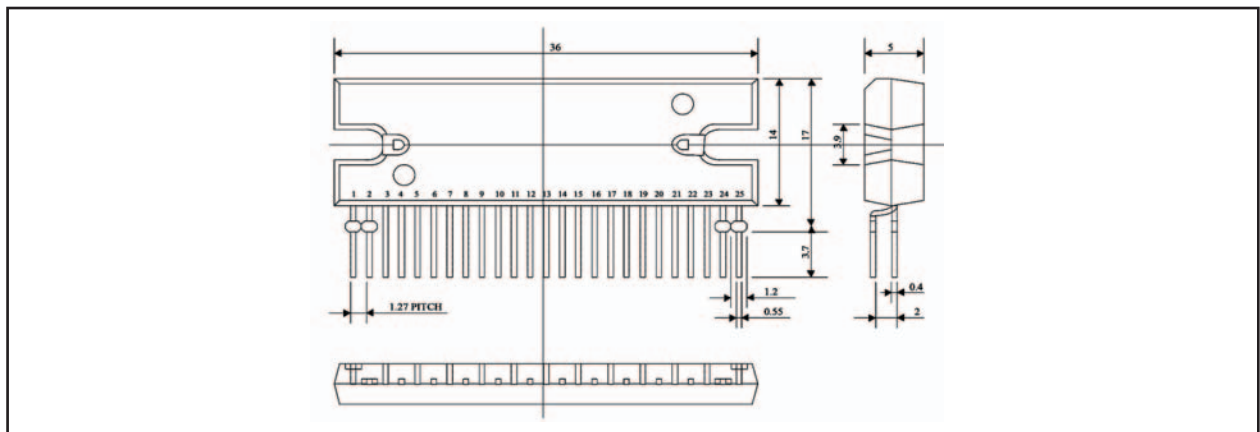
- Driver : Bipolar chopper PWM;
- Chopper frequency : 20 ÷ 40 kHz;
- Current per phase : 1,5 A rms ( 2,5 A peak );
- Output voltage : 40 Vdc max;
- Step angle : 1 - 1/2 - 1/4 - 1/8;
- Inputs : step, direction, drive enable, current reduction;  
( CMOS type with integrated 40 Kohm pull-up resistors );
- Output : drive status monitor ( ±2 mA max. ) ;
- Package : CPP - 25 pins ( 25 W );
- Power supply PWM : 24 Vdc ( 40 Vdc max );  
logic : 5 Vdc ±10% ;
- Operating temperature : - 40° ÷ + 85° C.

# SDI-C403

## Block Diagram:



## Mechanical drawing and dimensions:



**EVER SNC DI ING. CALDI & C.**  
 Via del Commercio, 2/4  
 Loc. San Grato, Z.I. - 26900 LODI (ITALY)  
 Tel. ++39 0371 412318 - Fax ++39 0371 412367  
 e-mail : infoever@everelettronica.it  
 web: www.everelettronica.it