

**MPP16**

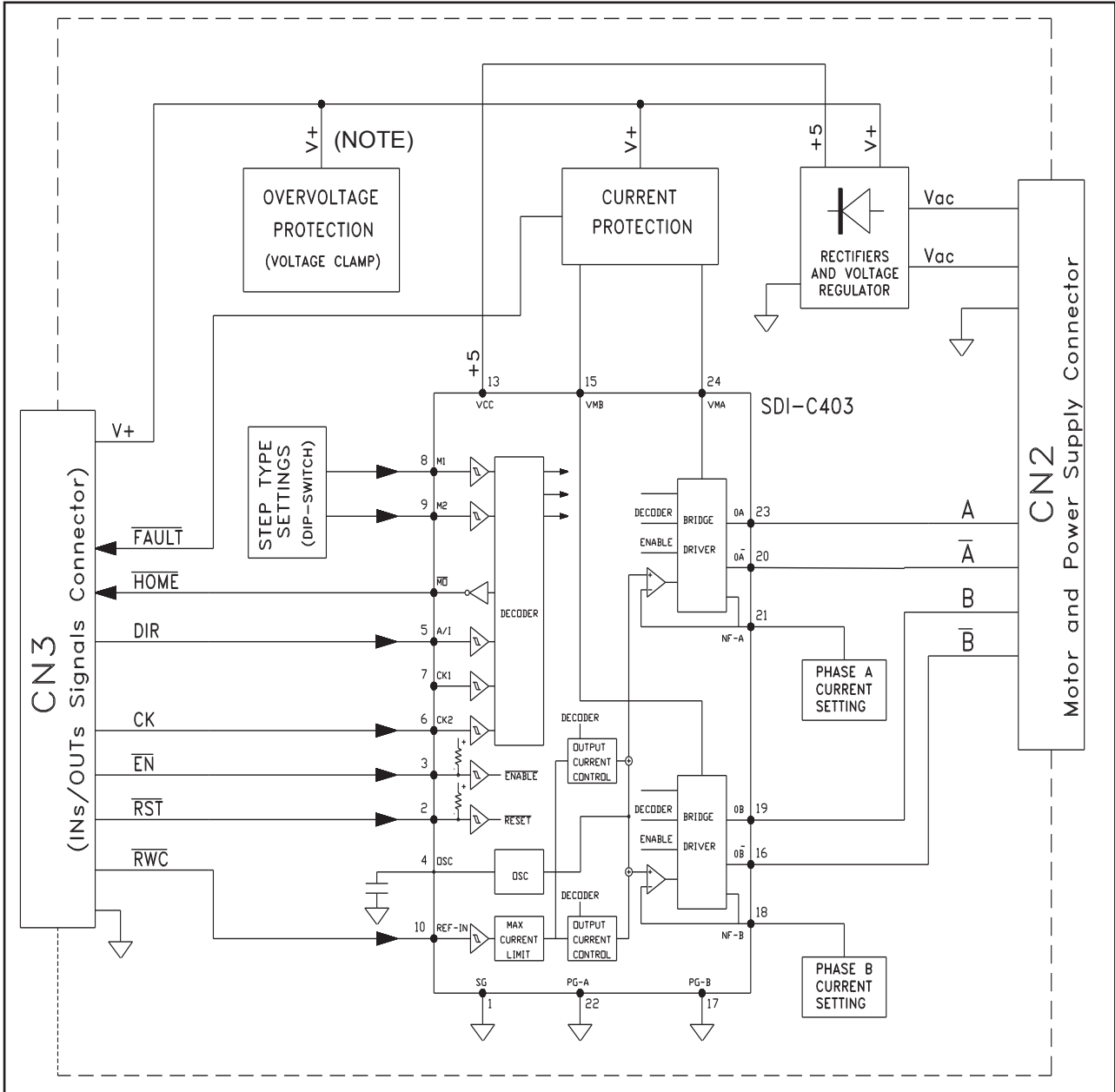
## 24 VDC - 1,5 A 4 phase stepping motor drive

### Technical data

- Driver : Bipolar chopper;
- Chopper frequency : 40 kHz;
- Current per phase : 0.003 ÷ 1.5 A (Peak);
- Step angle : 1 - 1/2 - 1/4 - 1/8 dip-switch selected;
- Current reduction : through drive's input;
- Protections : overcurrent - overvoltage (optional);
- Inputs : step, direction, drive enable, current reduction;
- Outputs : fault and current sequence homing;
- Operating temperature : +5°C ÷ +55°C (humidity < 90% );
- Power supply rating : 16 V < V<sub>AC</sub> < 22 V (19 Vac nominal);
- Size : 86 x 85 x 29 mm board;
- Weight : 130 g.

# MPP16

## Block diagram:



NOTE: Available as option.

**Ever**  
ELETTRONICA

EVER SNC DI ING. CALDI & C.  
Via del Commercio, 2/4  
Loc. San Grato, Z.I. - 26900 LODI (ITALY)  
Tel.++39 0371 412318 - Fax++39 0371 412367  
e-mail : infoever@everelettronica.it  
web: www.everelettronica.it