

**MT23PM
MT23PP**

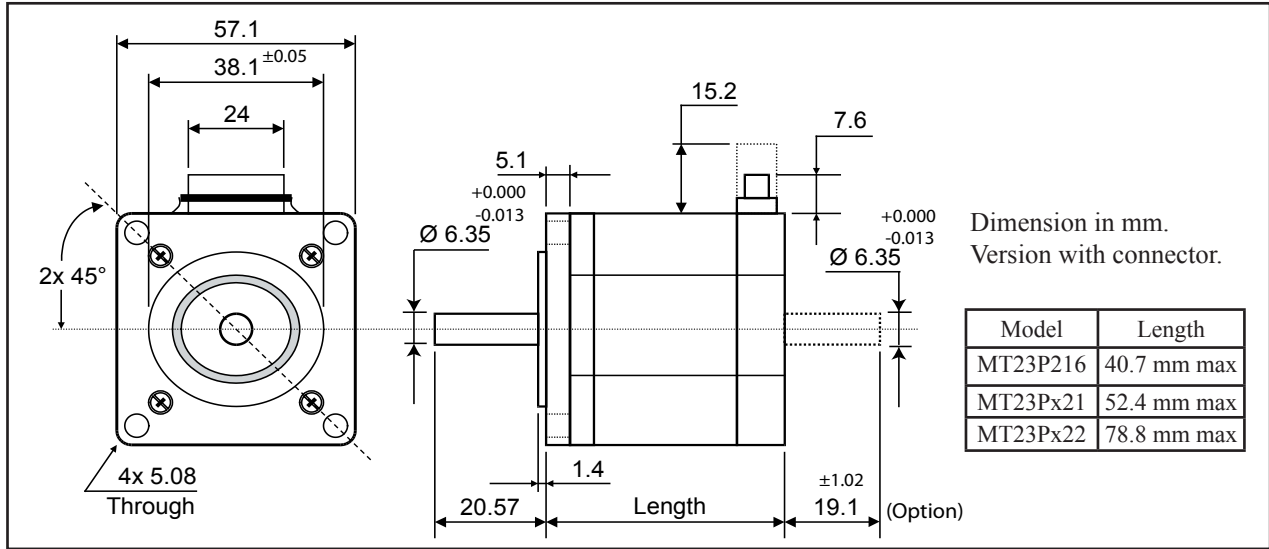
High torque (low inertia) 2.3” (56 mm) flange step motors

Specification	MT23P216	MT23PP21	MT23PM21	MT23PP22	MT23PM22
	011x8	010x8	025x8	033x8	046x8
Phase voltage <i>Vdc</i>	4.2	5.8	2.6	2.5	1.9
Phase current <i>A</i>	1.10	1.01	2.50	3.30	4.60
Phase resistance <i>Ohm ±10%</i>	3.84	5.78	1.06	0.76	0.42
Phase inductance <i>mH±10%</i>	5.10	12.70	2.00	2.10	0.70
Bipolar holding torque <i>Nm±10%</i>	0.42	0.80	1.02	1.51	1.62
Rotor inertia <i>g.cm²</i>	70	- std: 120 - opt: 80	- std: 120 - opt: 80	- std: 250 - opt: 160	- std: 250 - opt: 160
Detent torque <i>Nm</i>	1.80	2.80	6.60	4.90	12.0
Step angle	1.8° ±3%	1.8° ±3%	1.8° ±1.5%	1.8° ±3%	1.8° ±1.5%
Front shaft diameter <i>mm</i>	6.35				
Rear shaft diameter (on request)	6.35				
Terminal or lead wires	8 terminal connector				
Ambient temperature <i>°C</i>	- 20 ~ + 40				
Insulation class <i>°C</i>	B, 130				
Dimensions <i>mm</i>	57.1x57.1x40.7	57.1x57.1x52.4	57.1x57.1x78.8	57.1x57.1x78.8	57.1x57.1x78.8
Weight <i>Kg</i>	0.450	0.68	0.68	1.13	1.13

Note: Available also with different winding electrical ratings.

MT23PM MT23PP

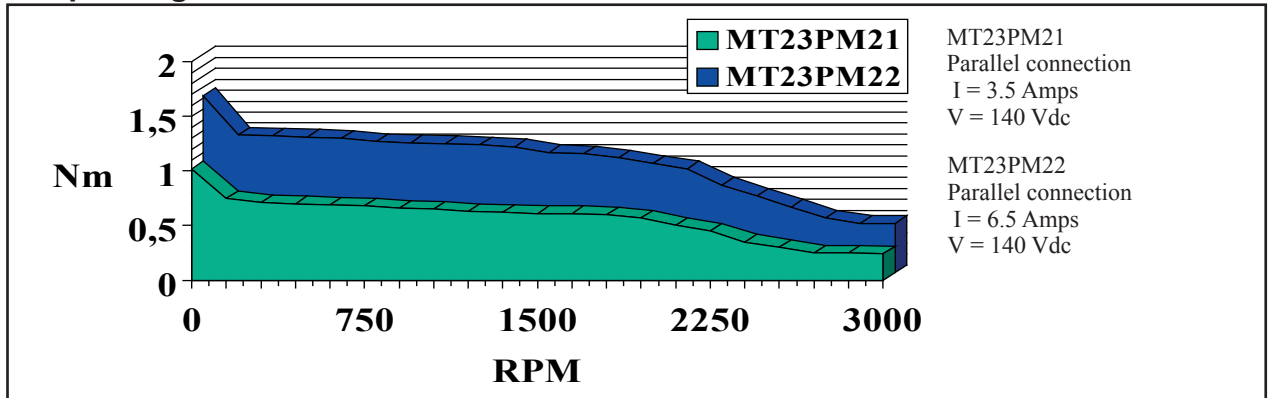
Mechanical drawing:



Connection diagram:

Wiring diagram	Connection	Driver connection	Lead color	Pin number
	Bipolar parallel	A	BLACK & ORANGE/WHITE	6 & 5
		A —	ORANGE & BLACK/WHITE	1 & 2
		B	RED & YELLOW/WHITE	8 & 7
		B —	YELLOW & RED/WHITE	3 & 4
	Bipolar series	A	BLACK	6
		A —	ORANGE	1
		B	RED	8
		B —	YELLOW	3
		None	BLACK/WHITE & ORANGE2/WHITE	2 & 5
		None	RED/WHITE & YELLOW/WHITE	4 & 7

Torque diagrams:



EVER SNC DI ING. CALDI & C.
Via del Commercio, 2/4
Loc. San Grato, Z.I. - 26900 LODI (ITALY)
Tel.++39 0371 412318 - Fax++39 0371 412367
e-mail : infoever@everelettronica.it
web: www.everelettronica.it

